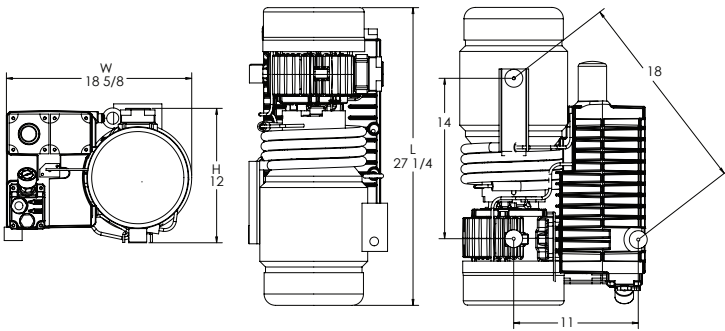


# Rotary Vane Vacuum Pumps

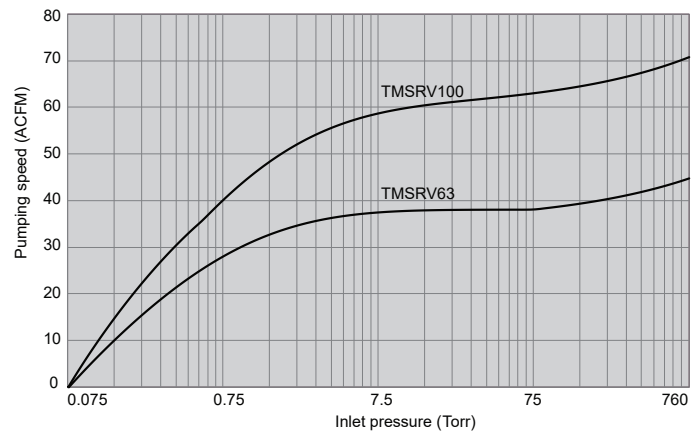
## TMSRV63–100

Dimensional Drawing



Pumping Speed

Air at 70 °F. Tolerance: ± 10%



Technical Data	UOM	TMSRV63	TMSRV100
Max. pumping speed	ACFM	45	71
Ultimate pressure	Torr	0.075	0.075
Nominal motor rating	HP	3	5
Power consumption at 75 Torr	HP	2	3.2
Power consumption at ultimate pressure	HP	1.1	2
Nominal motor speed	RPM	1800	1800
Sound level (ISO 2151)	dB(A)	66	68
Oil capacity	Qts.	2	2
Approximate weight	Lbs.	172	198
Dimensions (L x W x H)	inches	27 ¼ x 18 ⅝ x 12 ⅞	29 ¼ x 18 ⅝ x 12
Gas inlet	NPT	1 ¼" / 1 ¼"	1 ¼" / 1 ¼"

All performance data is based on ambient conditions of 14.7 PSIA and 70 °F, and has a tolerance of ± 10%.



Learn more by scanning here or contacting us at [info@tmsvacuum.com](mailto:info@tmsvacuum.com)  
Trust the **TMS Difference.** | [tmsvacuum.com](http://tmsvacuum.com)